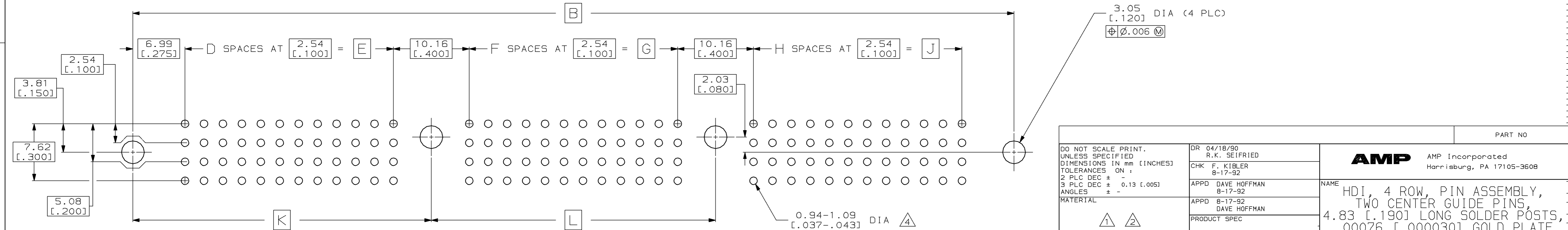
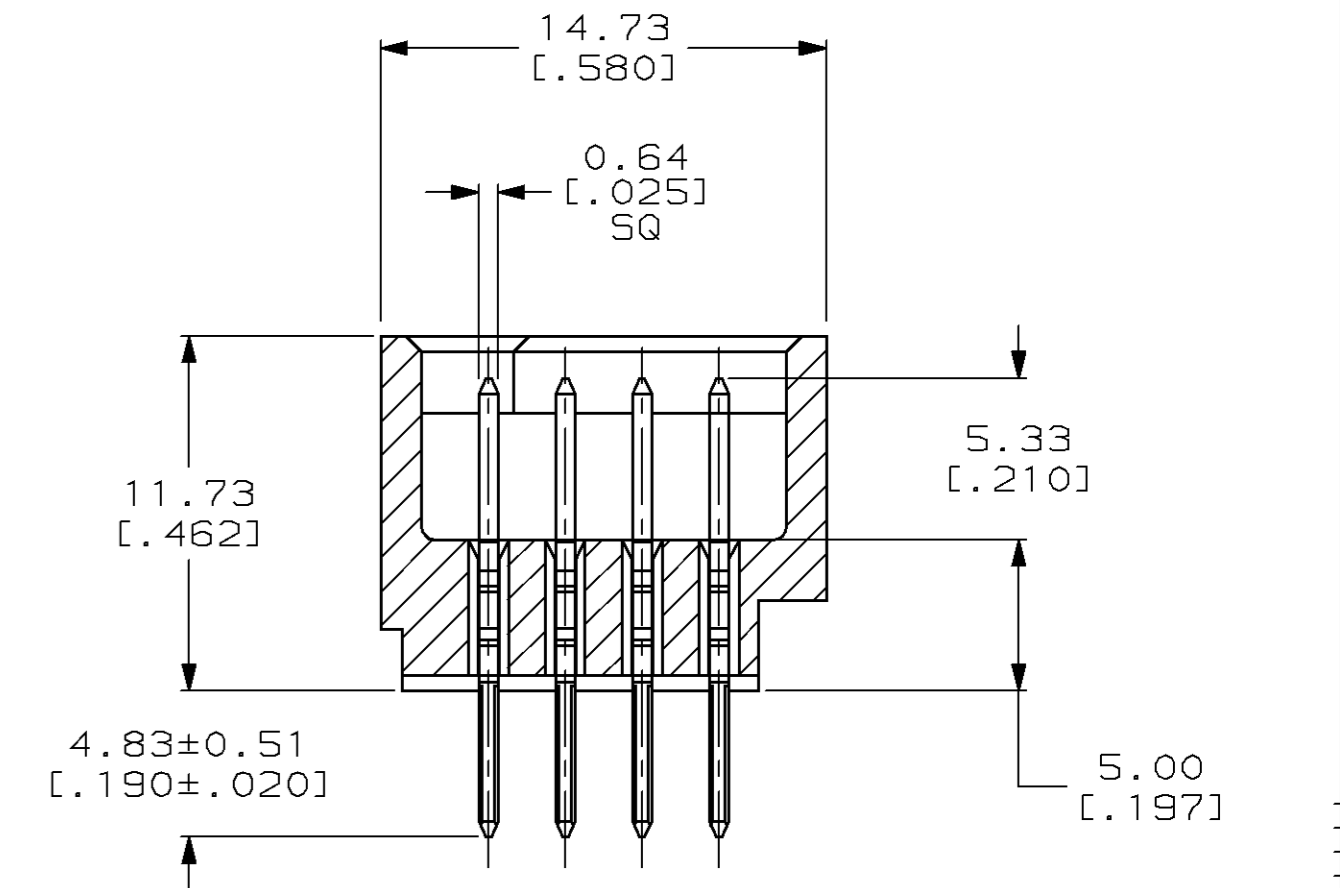
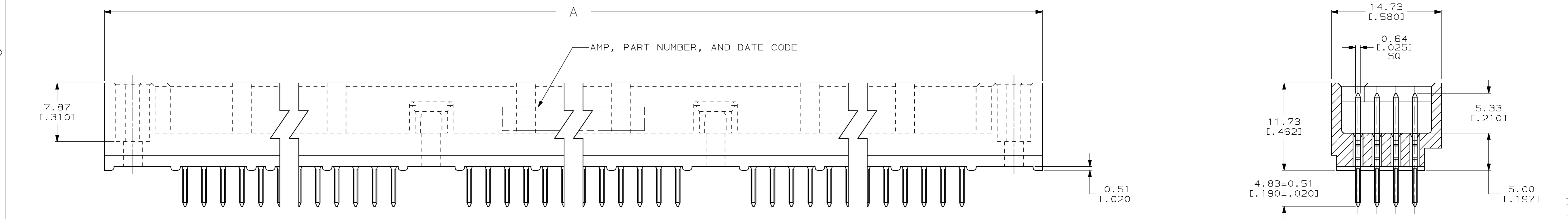
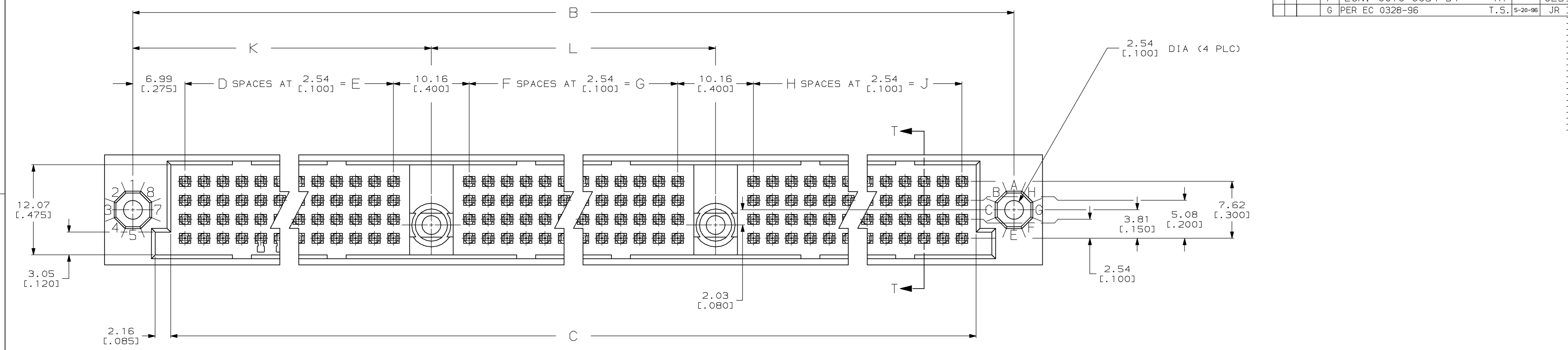


LOC		DIST		REV		REVISIONS		
AD	25	P	F	ZONE	LTR	DESCRIPTION	DATE	APPD
					E	ECN AD4218	04/18/90	RKS
					F	ECN. 0010-0034-94	TH 5/11/94	GES
					G	PER EC 0328-96	T.S. 5-20-96	JR




DO NOT SCALE PRINT. UNLESS SPECIFIED DIMENSIONS IN mm [INCHES] TOLERANCES ON:		DR 04/18/90 R.K. SEIFRIED		PART NO	
2 PLC DEC ± -		CHK F. KIBLER 8-17-92		AMP AMP Incorporated Harrisburg, PA 17105-3608	
3 PLC DEC ± 0.13 [.005]		APPD DAVE HOFFMAN 8-17-92		NAME	
ANGLES ± -		APPD 8-17-92 DAVE HOFFMAN		HDI, 4 ROW, PIN ASSEMBLY, TWO CENTER GUIDE PINS, 4.83 [.190] LONG SOLDER POSTS, .00076 [.000030] GOLD PLATE	
MATERIAL		PRODUCT SPEC -		SIZE	
FINISH		APPLICATION SPEC -		CAGE CODE	
WEIGHT -		SCALE 4:1		DRAWING NO	
				532944	
				SHEET 1 OF 2	



LOC		DIST		P		F		ZONE		LTR		REVISIONS			
AD	25											DESCRIPTION	DATE	APPD	
												G	SEE SHEET 1	-	-

- ① HOUSING MATERIAL: THERMOPLASTIC, COLOR-NATURAL.
- ② CONTACT MATERIAL: PHOSPHOR BRONZE.
- ③ CONTACT FINISH: .00127-.00254 [.000050-.000100] NICKEL UNDERPLATE ALL OVER; .00076 [.000030] GOLD PLATE IN CONTACT AREA, TIN-LEAD PLATED POSTS.
- ④ SOLDER PIN POST RECOMMENDED P.C. BOARD HOLE SIZES ARE 0.94-1.09 [.037-.043]; RECOMMENDED PAD DIA IS 1.52 [.060].
- 5. DIMENSIONS IN BRACKETS ARE IN INCHES.

152.40 [6.000]	154.30 [6.075]	142.24 [5.600]	56	142.24 [5.600]	56	142.24 [5.600]	56	450.85 [17.750]	461.01 [18.150]	468.63 [18.450]	684	532944-8
147.32 [5.800]	149.22 [5.875]	137.16 [5.400]	54	137.16 [5.400]	54	137.16 [5.400]	54	435.61 [17.150]	445.77 [17.550]	453.39 [17.850]	660	532944-7
142.24 [5.600]	144.14 [5.675]	132.08 [5.200]	52	132.08 [5.200]	52	132.08 [5.200]	52	420.37 [16.550]	430.53 [16.950]	438.15 [17.250]	636	532944-6
137.16 [5.400]	139.06 [5.475]	127.00 [5.000]	50	127.00 [5.000]	50	127.00 [5.000]	50	405.13 [15.950]	415.29 [16.350]	422.91 [16.650]	612	532944-5
132.08 [5.200]	133.98 [5.275]	121.92 [4.800]	48	121.92 [4.800]	48	121.92 [4.800]	48	389.89 [15.350]	400.05 [15.750]	407.67 [16.050]	588	532944-4
127.00 [5.000]	128.90 [5.075]	116.84 [4.600]	46	116.84 [4.600]	46	116.84 [4.600]	46	374.65 [14.750]	384.81 [15.150]	392.43 [15.450]	564	532944-3
121.92 [4.800]	123.82 [4.875]	111.76 [4.400]	44	111.76 [4.400]	44	111.76 [4.400]	44	359.41 [14.150]	369.57 [14.550]	377.19 [14.850]	540	532944-2
116.84 [4.600]	118.74 [4.675]	106.68 [4.200]	42	106.68 [4.200]	42	106.68 [4.200]	42	344.17 [13.550]	354.33 [13.950]	361.95 [14.250]	516	532944-1
L	K	J	H	G	F	E	D	C	B	A	POSN	PART NUMBER

DO NOT SCALE PRINT. UNLESS SPECIFIED DIMENSIONS IN mm [INCHES] TOLERANCES ON: 2 PLC DEC ± - 3 PLC DEC ± 0.13 [.005] ANGLES ± -		DR 04/18/90 R.K. SEIFRIED	 AMP Incorporated Harrisburg, PA 17105-3608
MATERIAL ① ②		CHK F. KIBLER 8-17-92	
FINISH ③		APPD DAVE HOFFMAN 8-17-92	NAME HDI, 4 ROW, PIN ASSEMBLY, TWO CENTER GUIDE PINS, 4.83 [.190] LONG SOLDER POSTS, .00076 [.000030] GOLD PLATE
APPLICATION SPEC -		APPD 8-17-92 DAVE HOFFMAN	PRODUCT SPEC -
WEIGHT -		SIZE D	CAGE CODE 00779
		SCALE 4:1	DRAWING NO 532944
			SHEET 2 OF 2

